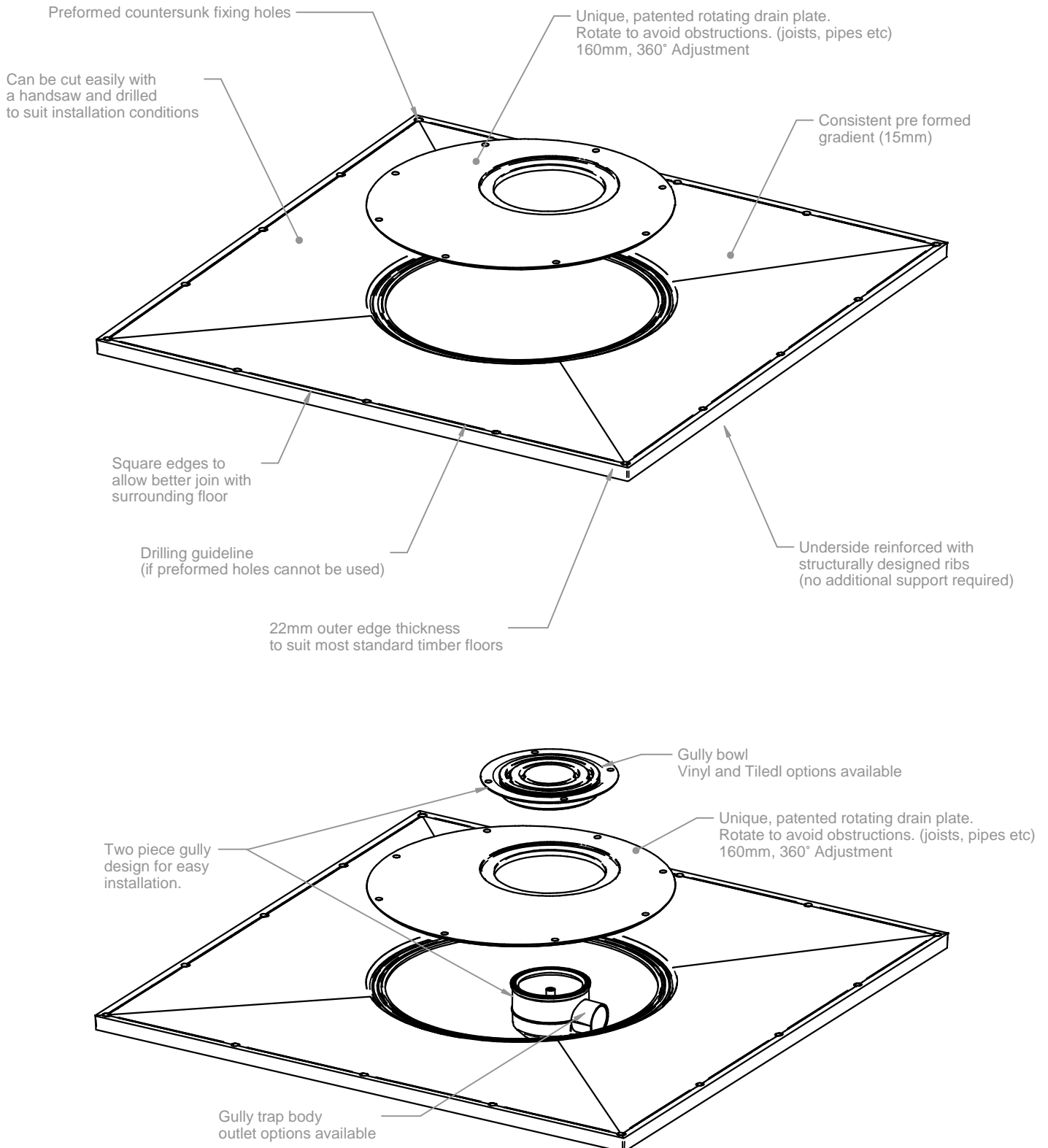


Level-Dec Easy Fit - Technical Data

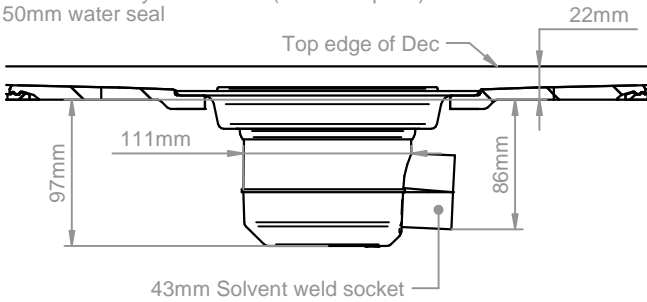
Thickness	All 22mm in height
Handing	Universal (not handed)
Waste outlet position	Adjustable, designed to be rotated to avoid joists, pipe work or other obstruction.
Trap Size	200mm aperture in floor former
Waste options	Gravity 50mm water seal (horizontal or vertical options) or pumped waste by selecting the correct trap or pump kit (pump kits available separately)
Sizes Available	800mm x 800mm, 900mm x 900mm, 1000mm x 1000mm, 1200mm x 1200mm, 1200mm x 750mm, 1200mm x 900mm, 1300mm x 800mm, 1400mm x 900mm, 1500mm x 800mm, 1500mm x 1200mm, 1700mm x 750mm, 1850mm x 900mm
Cut to Length (see diagrams page 4)	Can be cut to Length to suit wall to wall measurement or to accommodate soil pipes etc. When cut to length the cut edges must be fitted against a wall and supported on additional noggins or trimmers.
Construction	Rigid GRP (glass fibre and polyester resin) composite with reinforcing ribs in underside to distribute loads evenly.
Features	Unique rotating drain plate allows floor drain to be positioned to avoid joists or other obstructions. 22mm thick for easy installation into conventional timber floors. Consistent gradient (15mm), Preformed countersunk fixing holes, easily cut with a handsaw,
Installation	Can be installed directly onto floor joists (at 400mm centres) with no additional support or bedded into screeded floors.
Supplied with	UTVG01/H floor drain, fixing screws and installation guide (drain options available)
Waste Trap Options for vinyl and tiled floors	<p>Vinyl Floor Drains</p> <p>UTVG01/H Horizontal outlet (43mm solvent socket outlet) 50mm water seal UTVG01/V Vertical outlet (43mm solvent socket outlet) 50mm water seal UTVC01/H Horizontal outlet (43mm solvent socket outlet) 50mm water seal (chrome) UTVC01/V Vertical outlet (43mm solvent socket outlet) 50mm water seal TAD13 Pumped waste (22mm outlet) SLW1 Slimline waterless waste (43mm outlet solvent/compression outlet) TSG1 Horizontal outlet (50mm solvent socket) 75mm waterseal TSG2 Vertical outlet (50mm/110mm solvent socket) 75mm waterseal</p> <p>Tiled Floor Drains</p> <p>HCD/H Horizontal outlet (43mm solvent socket outlet) 50mm water seal HCD/V Vertical outlet (43mm solvent socket outlet) 50mm water seal HCD/P pumped waste (22mm outlet) HCD/ST Slimline waterless waste (43mm outlet solvent/compression outlet)</p>
Flow rates l/min (approx, measured using UTVG01/H floor drain	Average Flow rate for all Easy-Fit Decs fitted with tiled drain - 36.3 l/min

Level-Dec Easy Fit - Features & Sizes

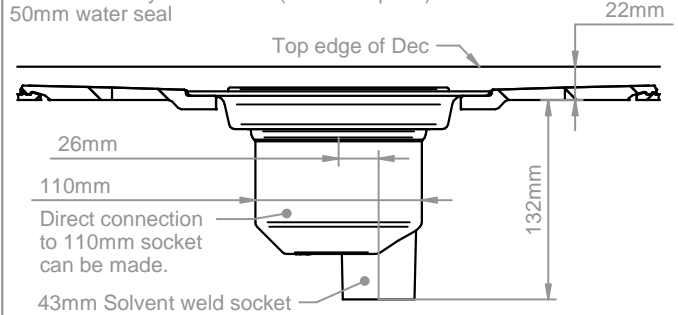


Level-Dec Easy Fit - Floor Drain Details

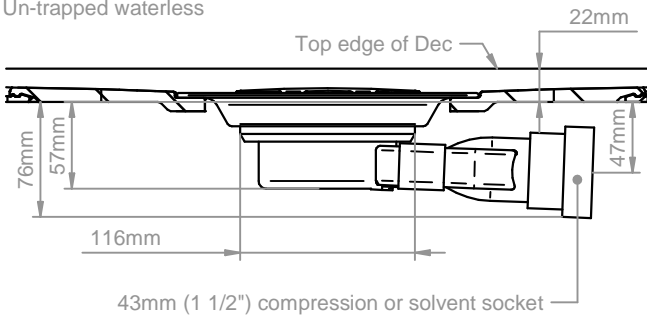
UTVG01/H Vinyl Floor Drain (supplied standard)
 UTCV01/H Vinyl Floor Drain (Chrome option)
 50mm water seal



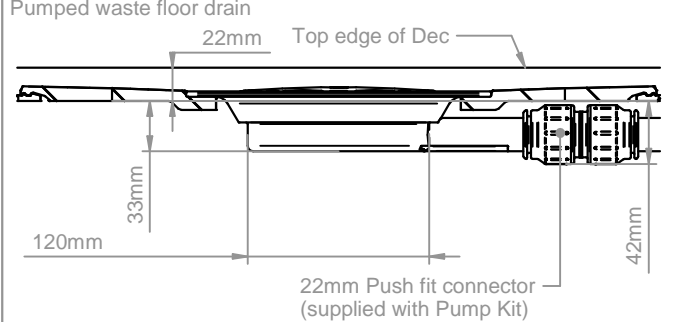
UTVG01/V Vinyl Floor Drain
 UTCV01/V Vinyl Floor Drain (Chrome option)
 50mm water seal



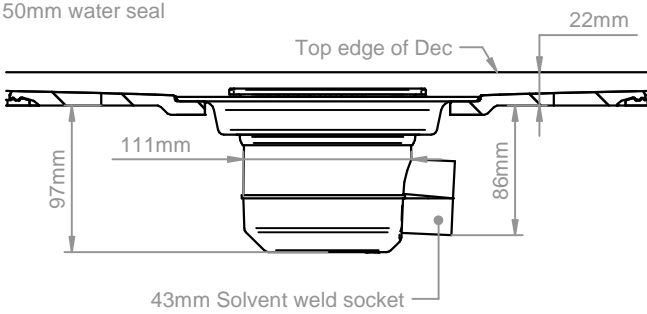
SLW1 Vinyl Floor Drain
 Un-trapped waterless



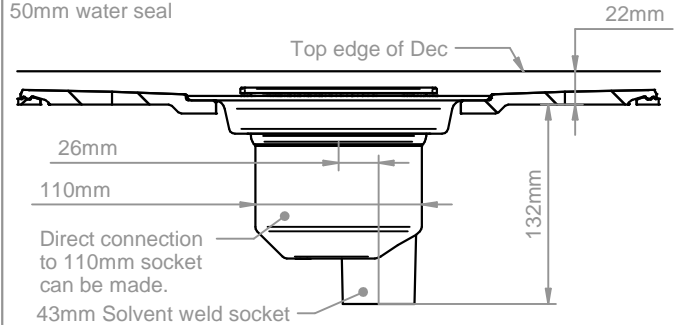
TAD13 Vinyl Floor Drain
 Pumped waste floor drain



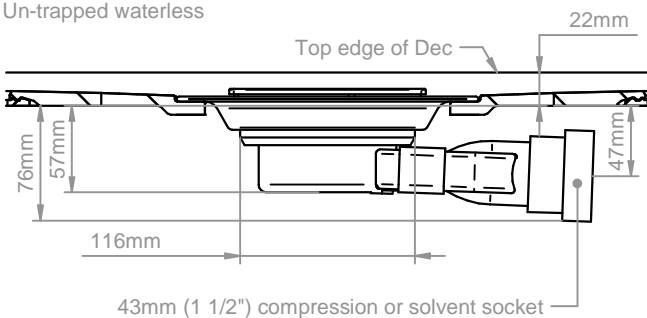
HCD/H Tiled Floor Drain
 50mm water seal



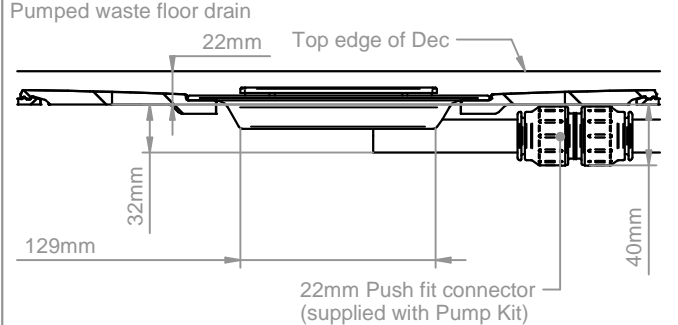
HCD/V Tiled Floor Drain
 50mm water seal



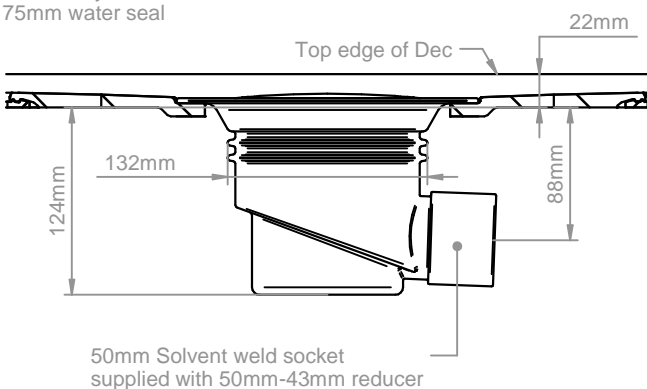
HCD/ST Tiled Floor Drain
 Un-trapped waterless



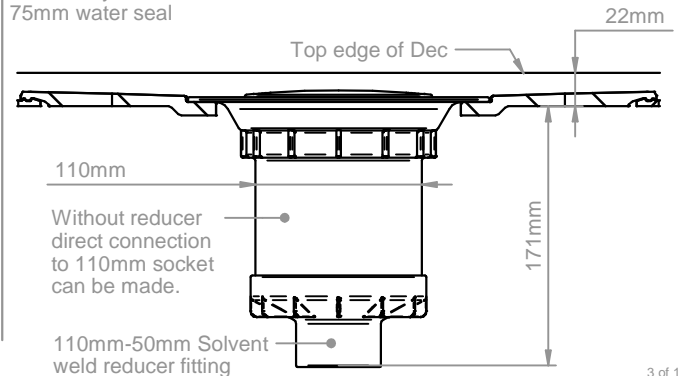
HDC/P Tiled Floor Drain
 Pumped waste floor drain



TSG1 Vinyl Floor Drain
 75mm water seal



TSG2 Vinyl Floor Drain
 75mm water seal



Level-Dec Easy Fit - Cutting and Drilling guidelines

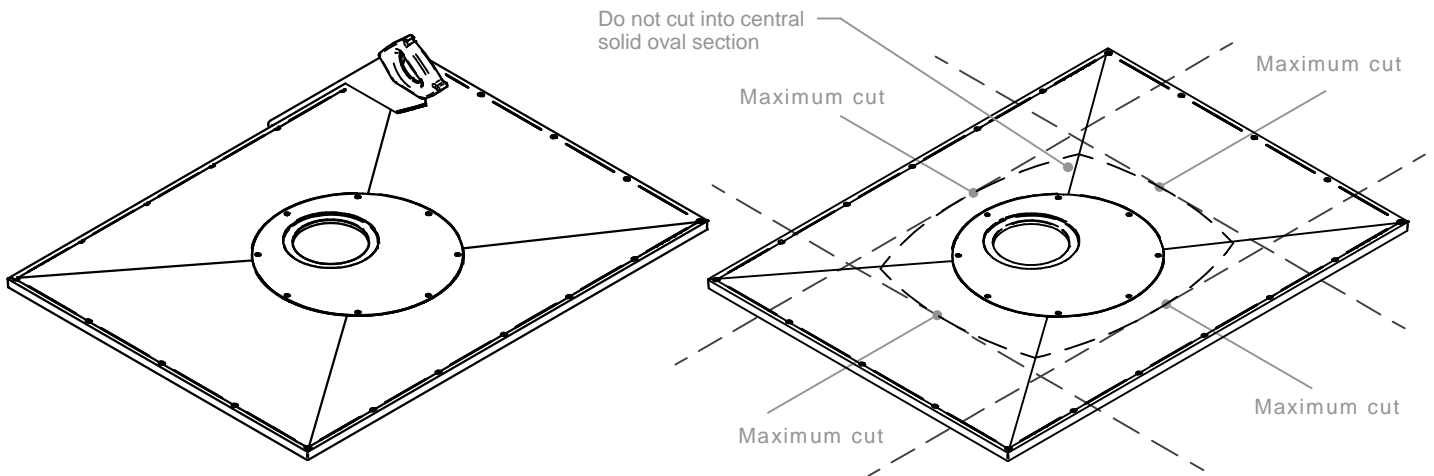


Fig.1
Cut using an old or disposable handsaw.

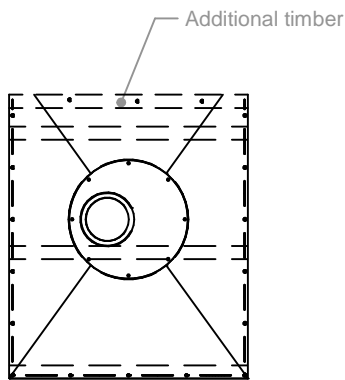


Fig.2
Cut to length.

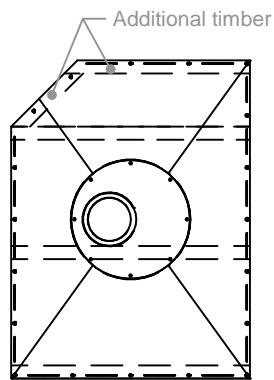


Fig.3
Cut to accommodate diagonal wall.

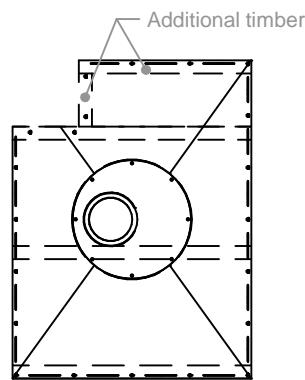


Fig.4
Cut to accommodate drain point.

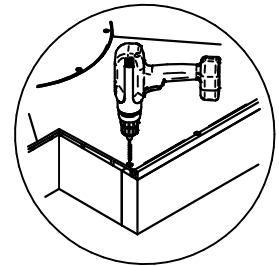


Fig.5
Ensure cut edges are fixed.

Ensure all the cut edges are supported, then drill, countersink and screw the Dec to the joists below in around 200mm intervals (avoiding pipes, electric wires, etc.).
Important: Do not cut the edges that adjoin surrounding floor. Cutting the Dec may reduce flow rate performance.

Additional fixing points

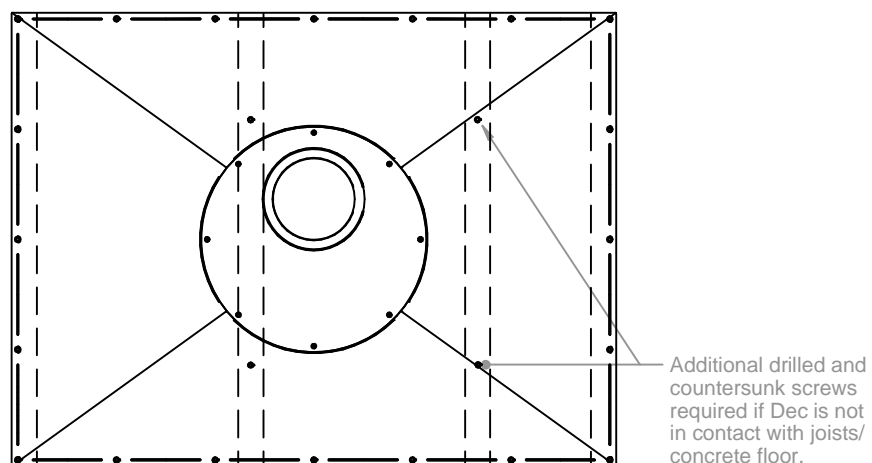
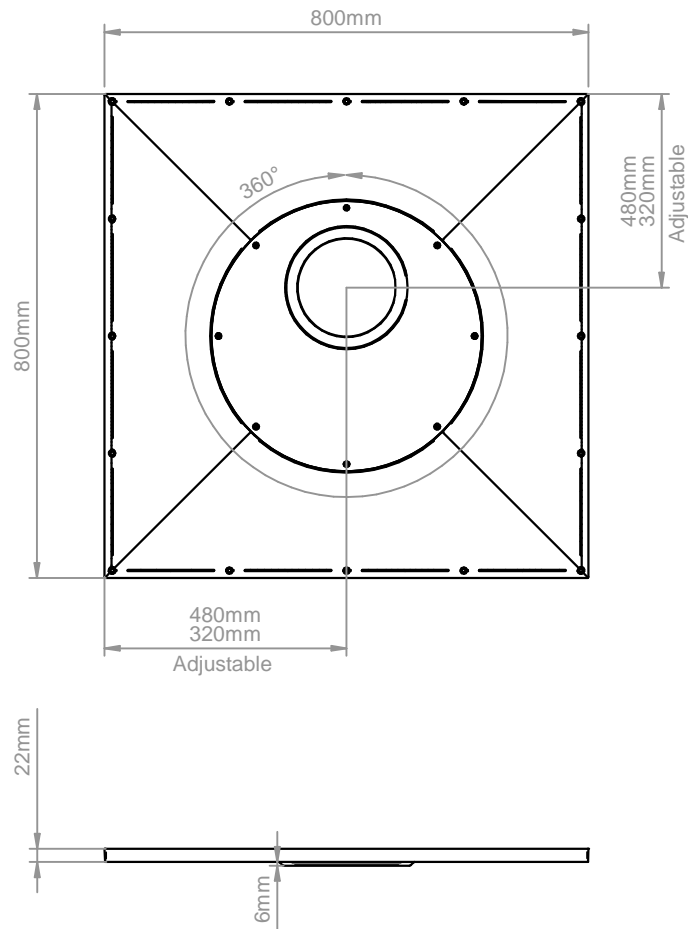
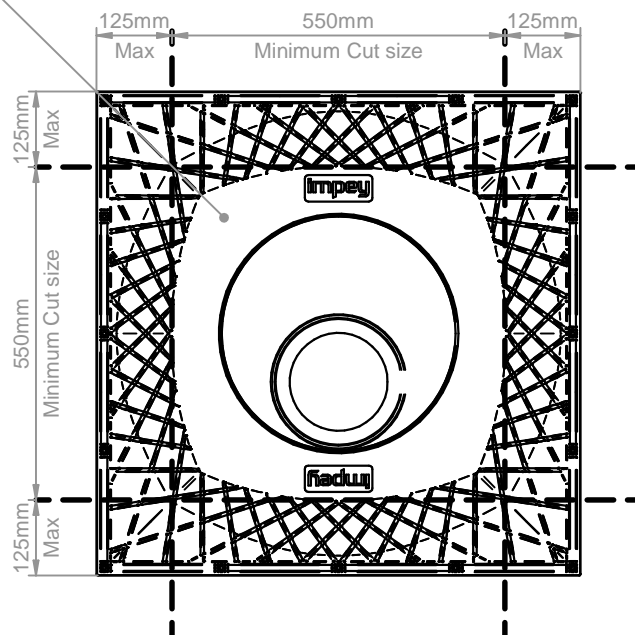


Fig.6
If Dec is not in contact with joist/concrete floor you must drill out and countersink the Dec to ensure it does. Failure to do this will allow unacceptable movement and may cause floor tiles to crack or become loose.

Level-Dec Easy Fit - LDE 8080

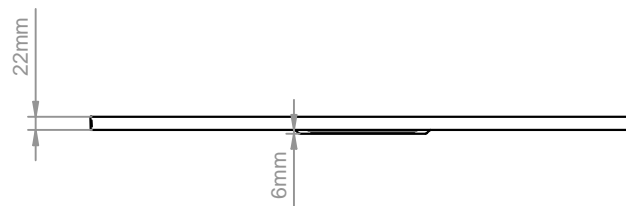
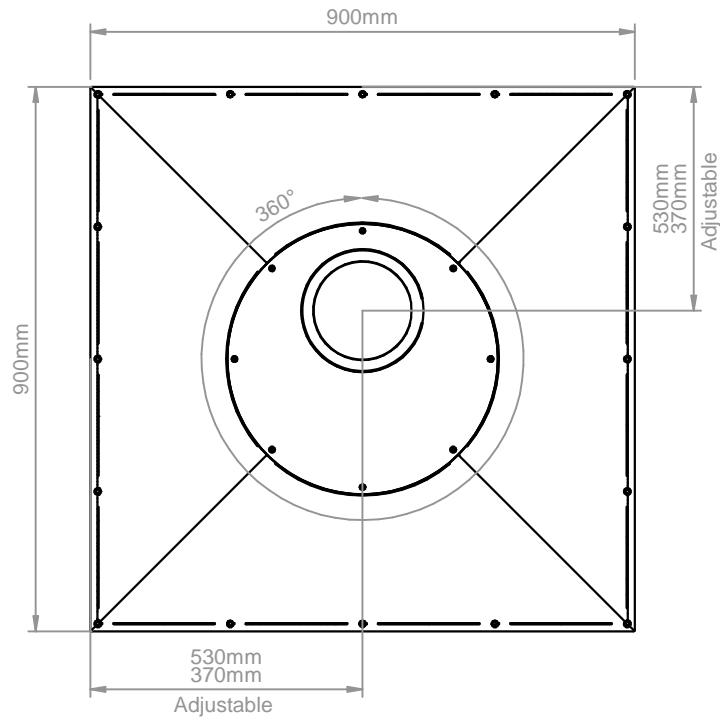


Do not cut into central solid oval section

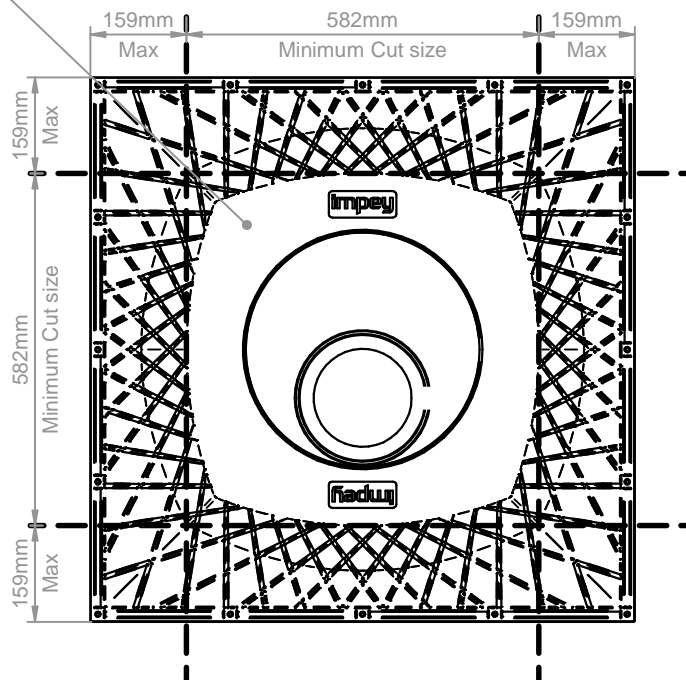


12.5 kg

Level-Dec Easy Fit - LDE 9090

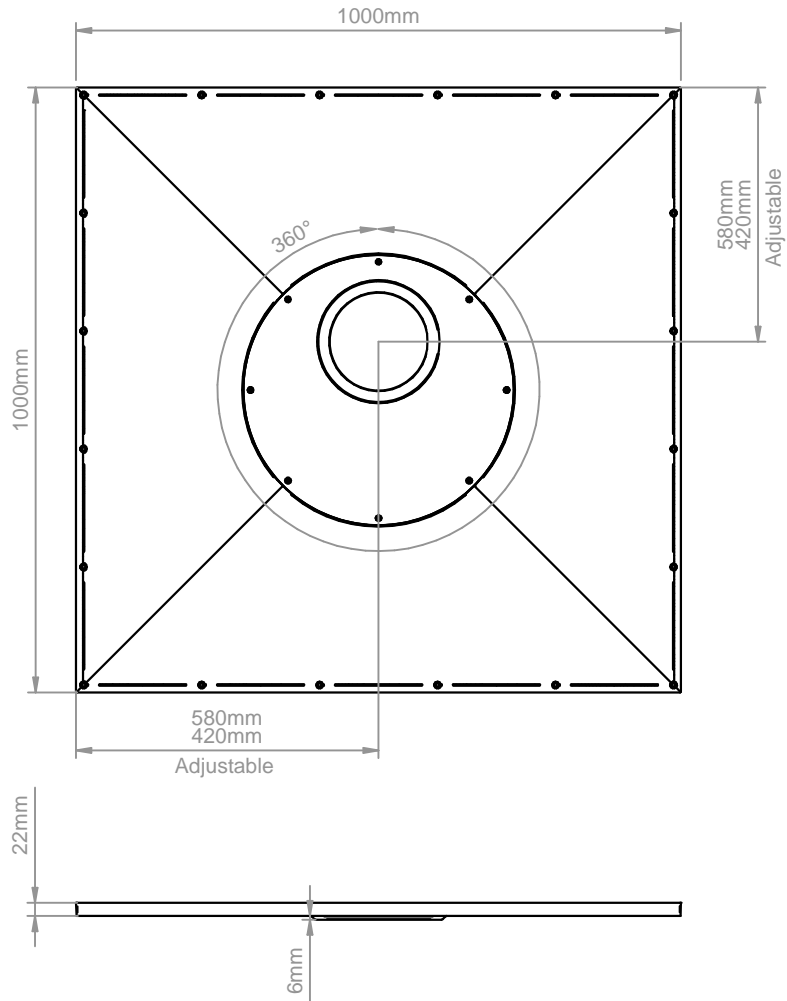


Do not cut into central solid oval section

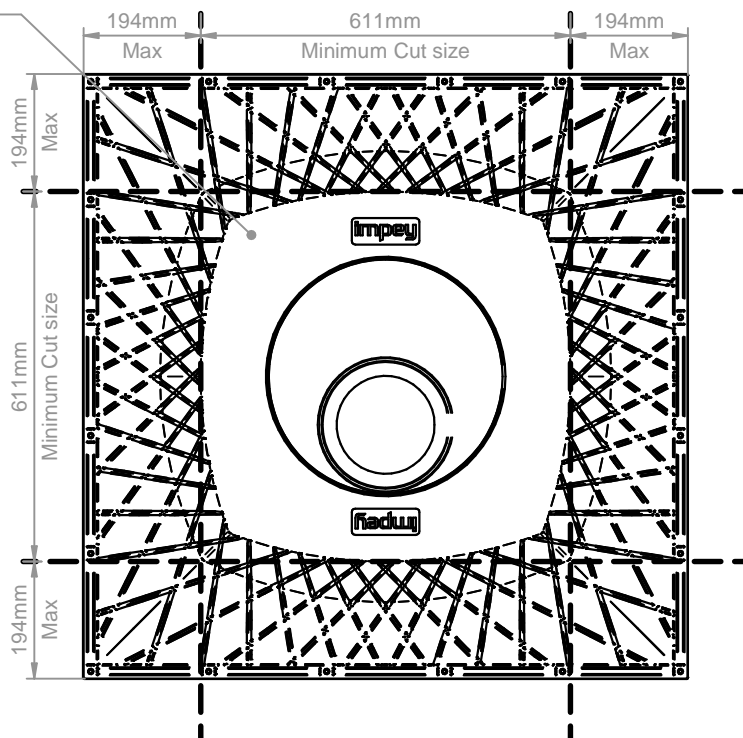


16.3 kg

Level-Dec Easy Fit - LDE 1010

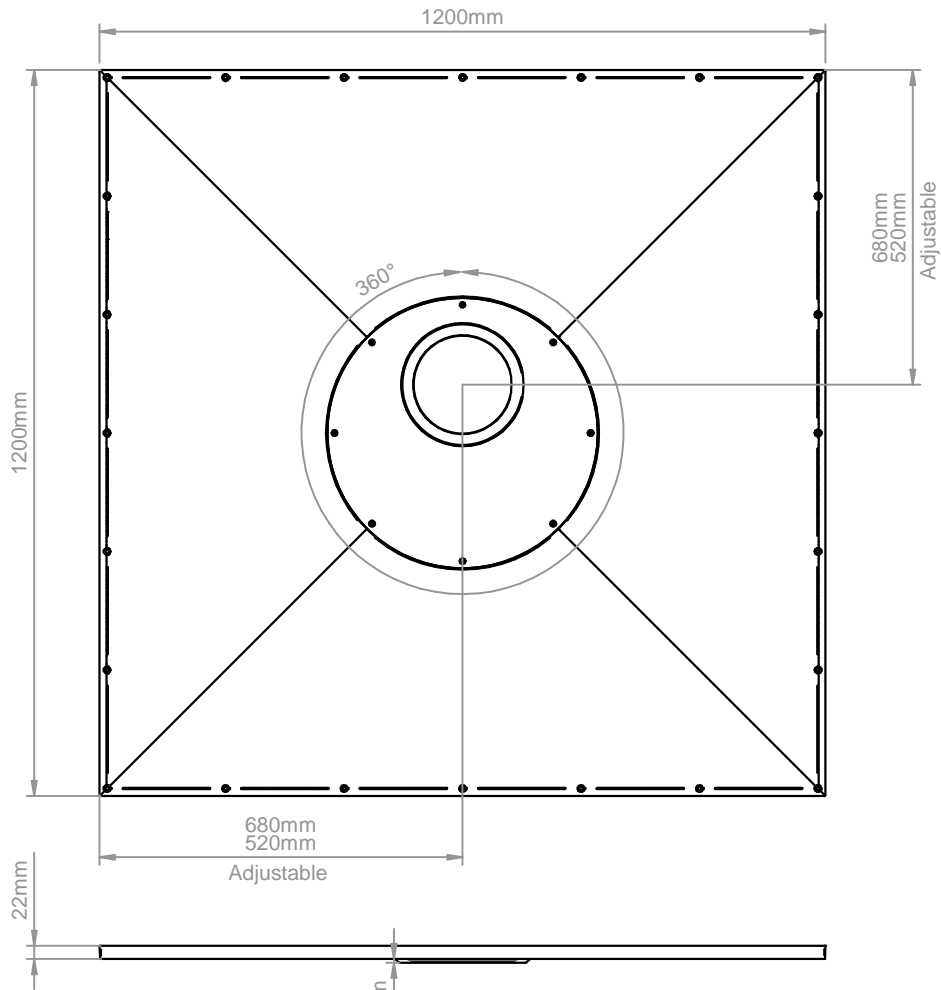


Do not cut into central solid oval section

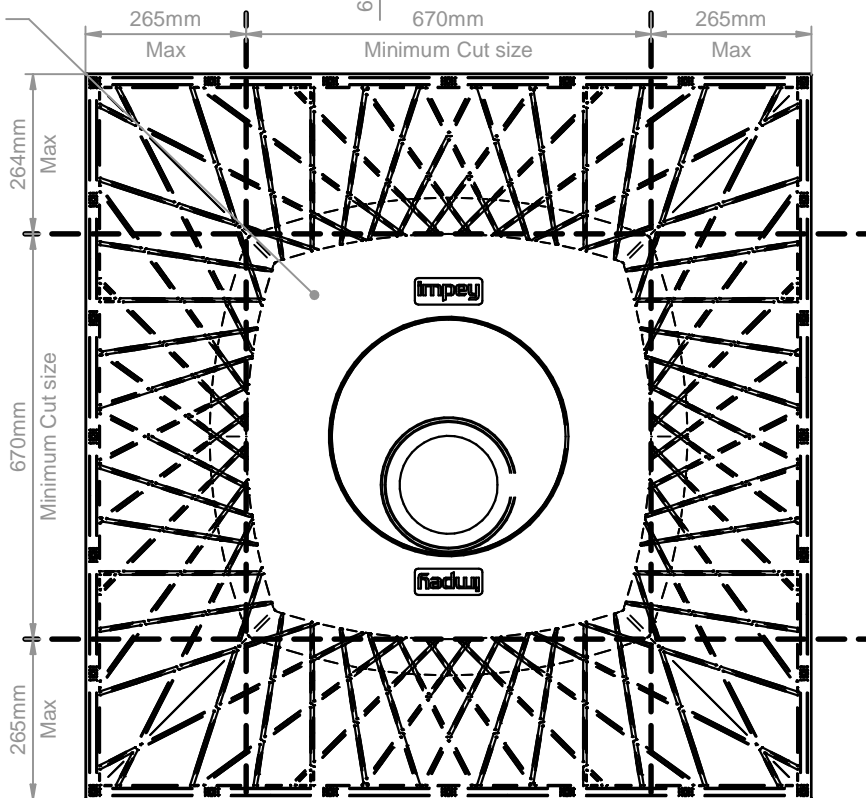


20.3 kg

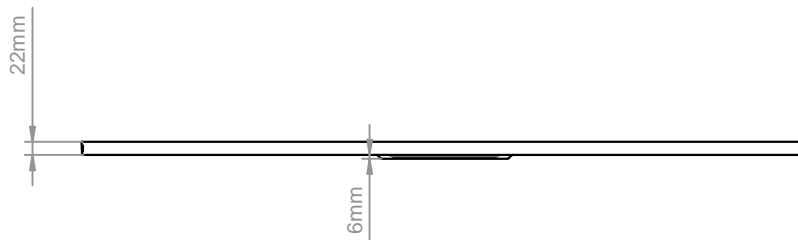
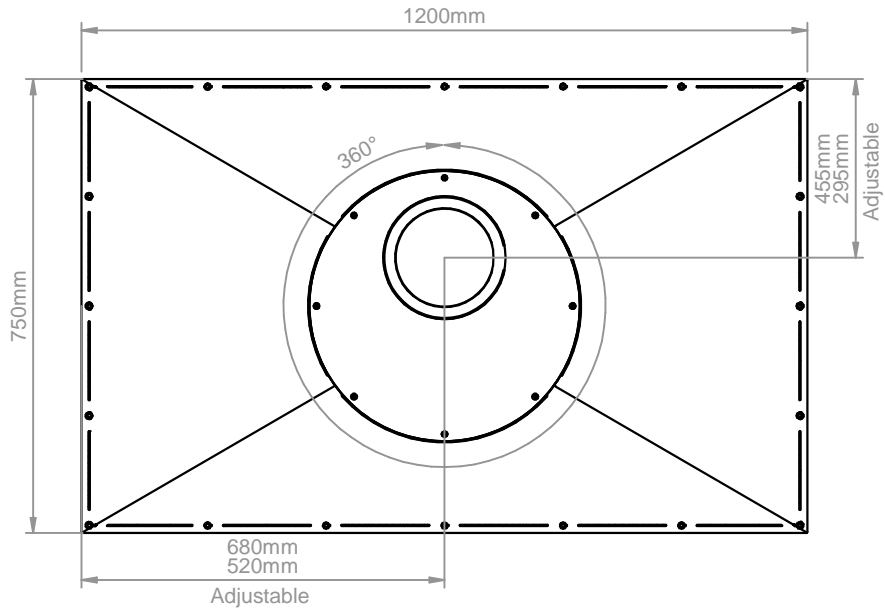
Level-Dec Easy Fit - LDE 1212



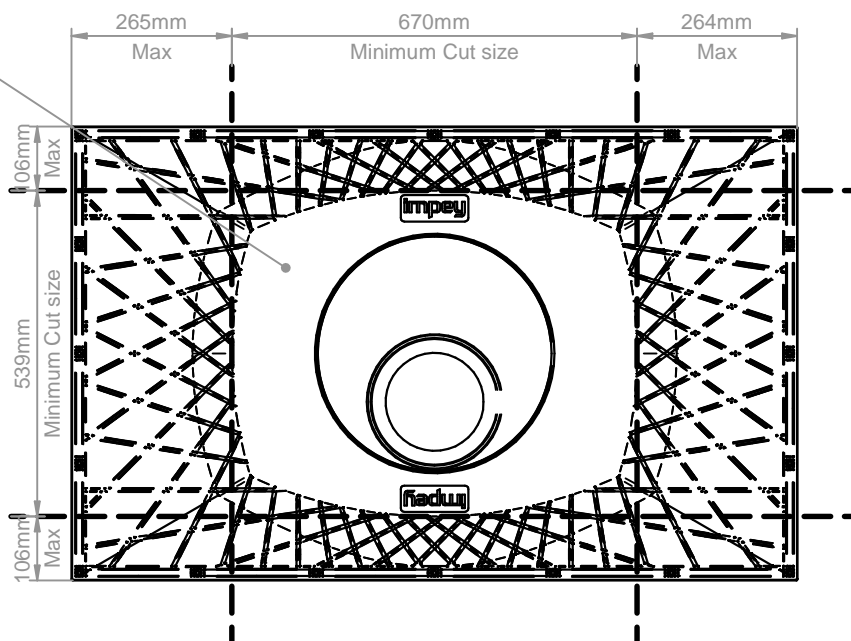
Do not cut into central solid oval section



Level-Dec Easy Fit - LDE 1275

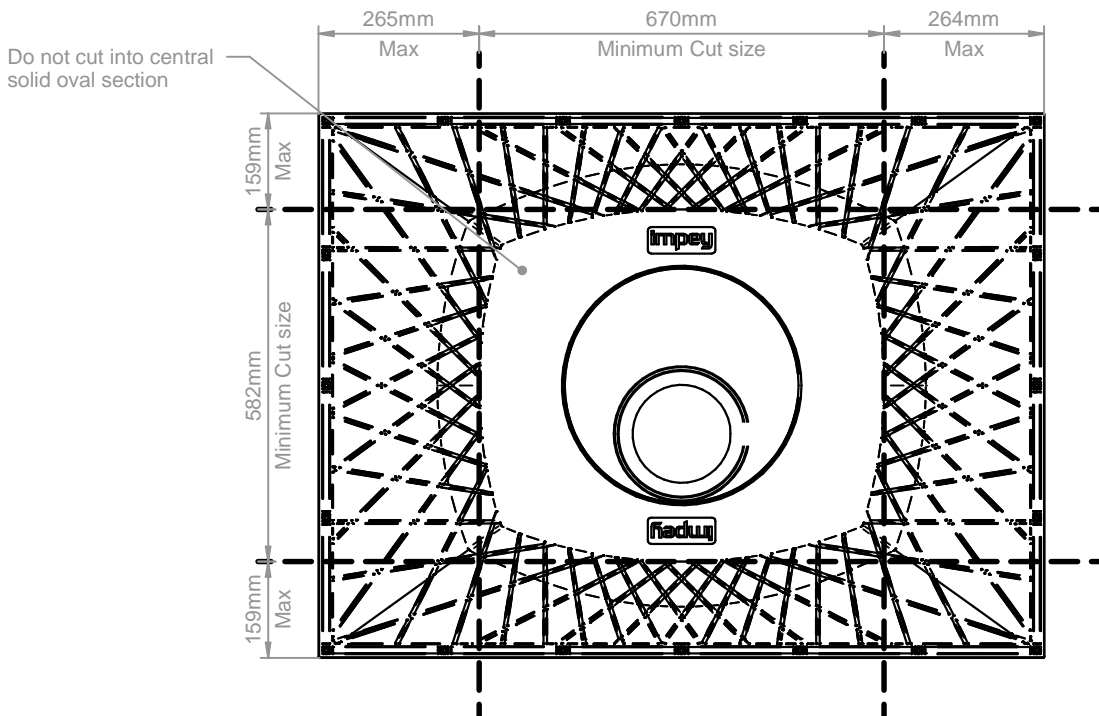
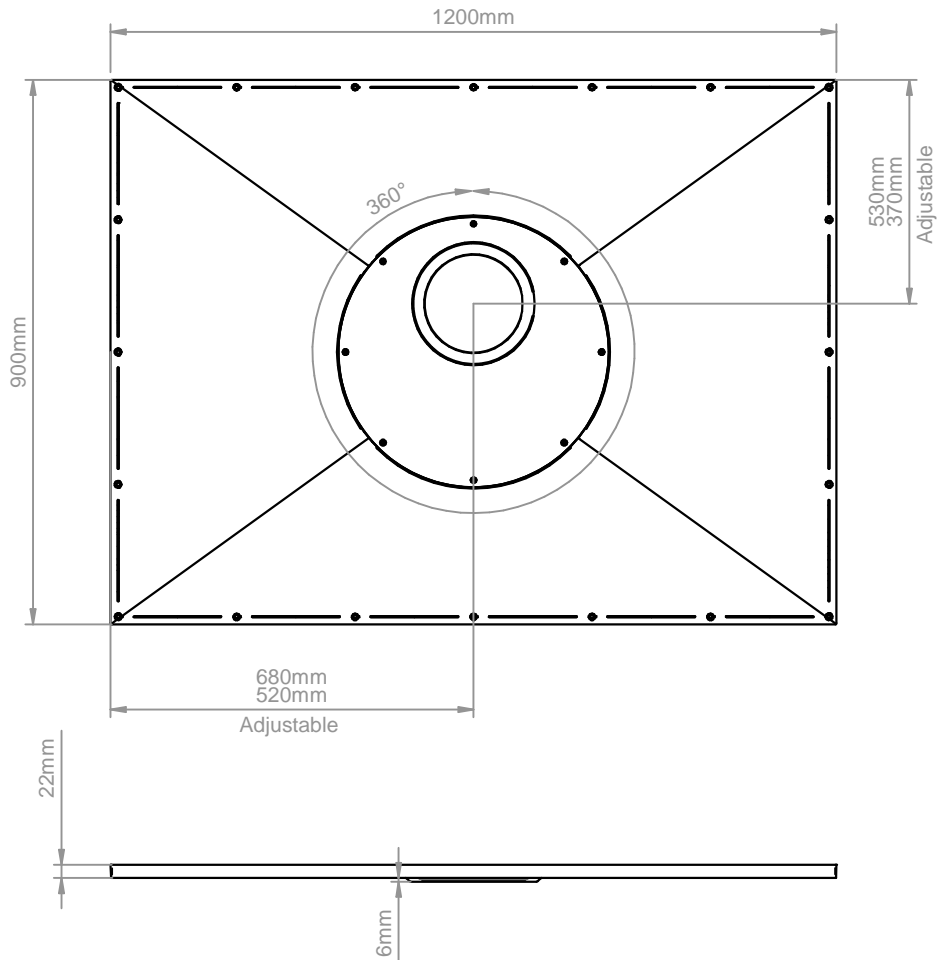


Do not cut into central solid oval section



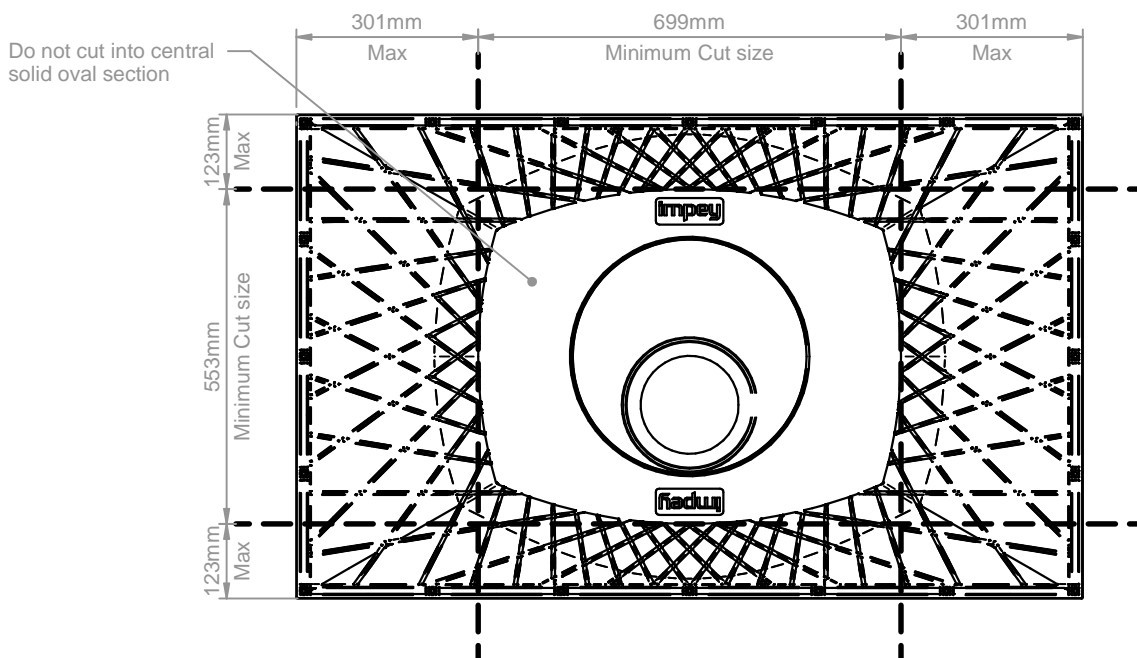
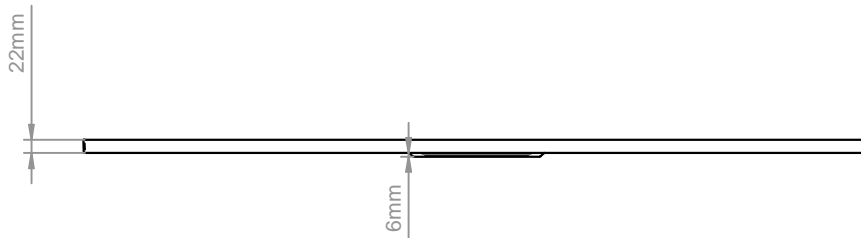
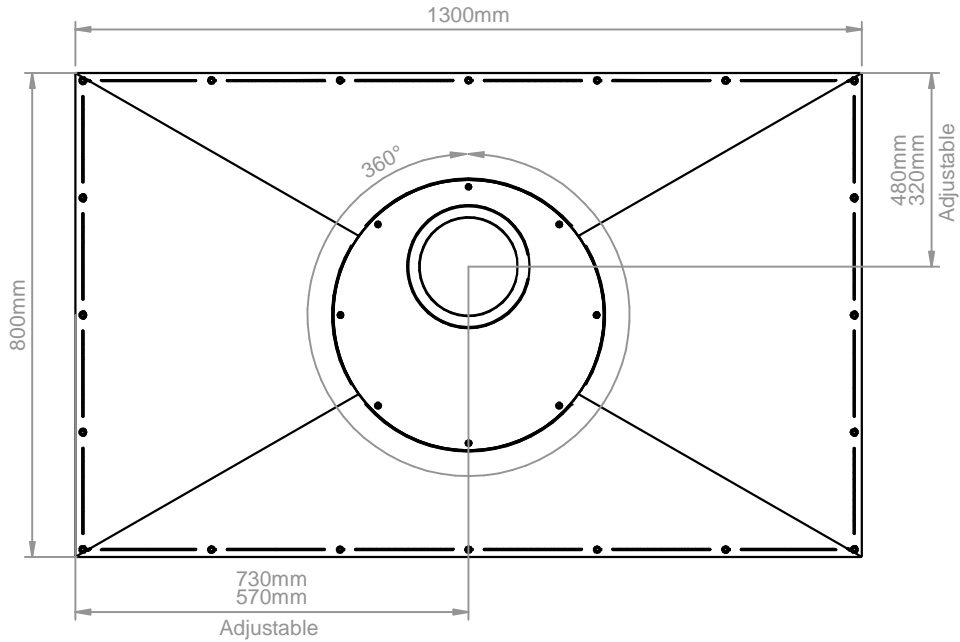
17.7 kg

Level-Dec Easy Fit - LDE 1290



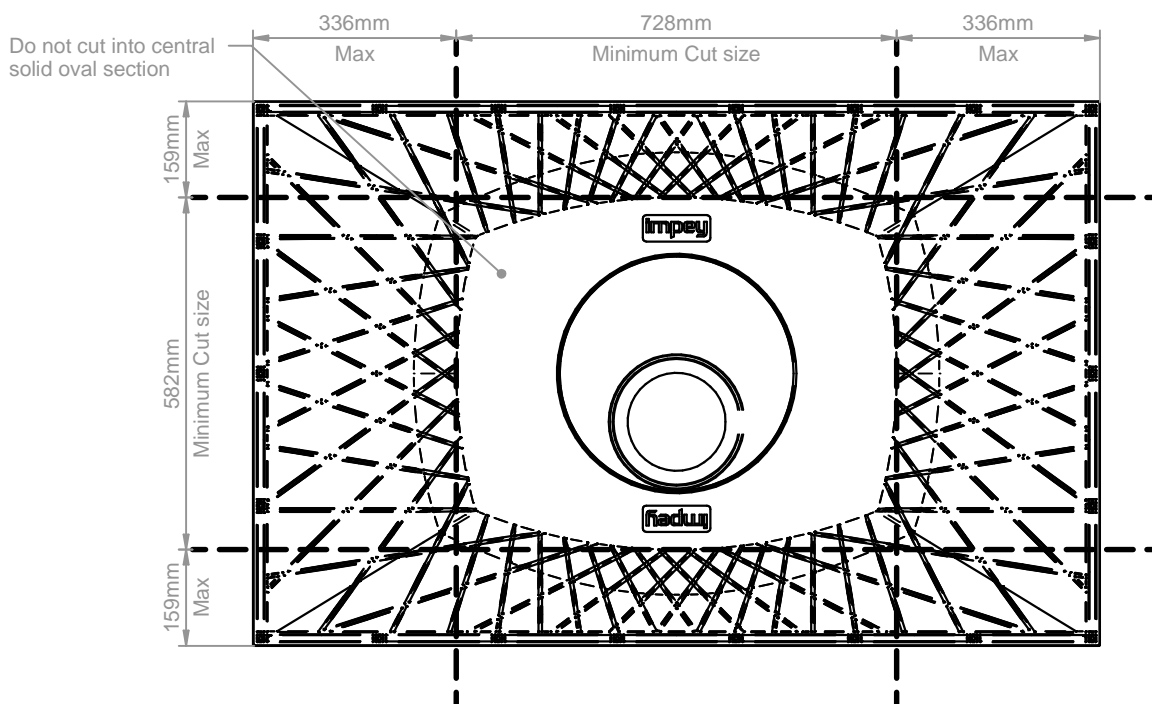
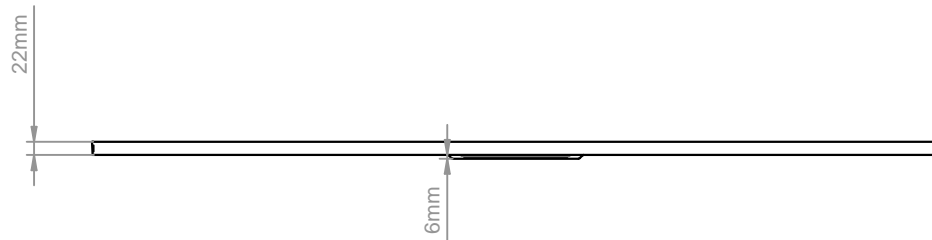
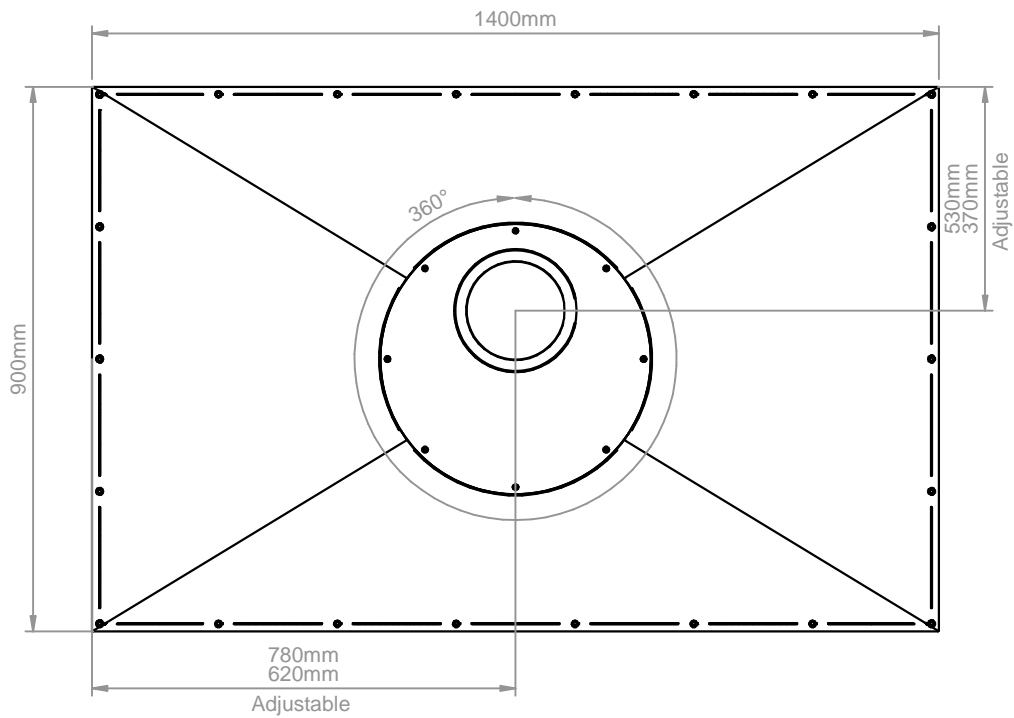
21.5 kg

Level-Dec Easy Fit - LDE 1380



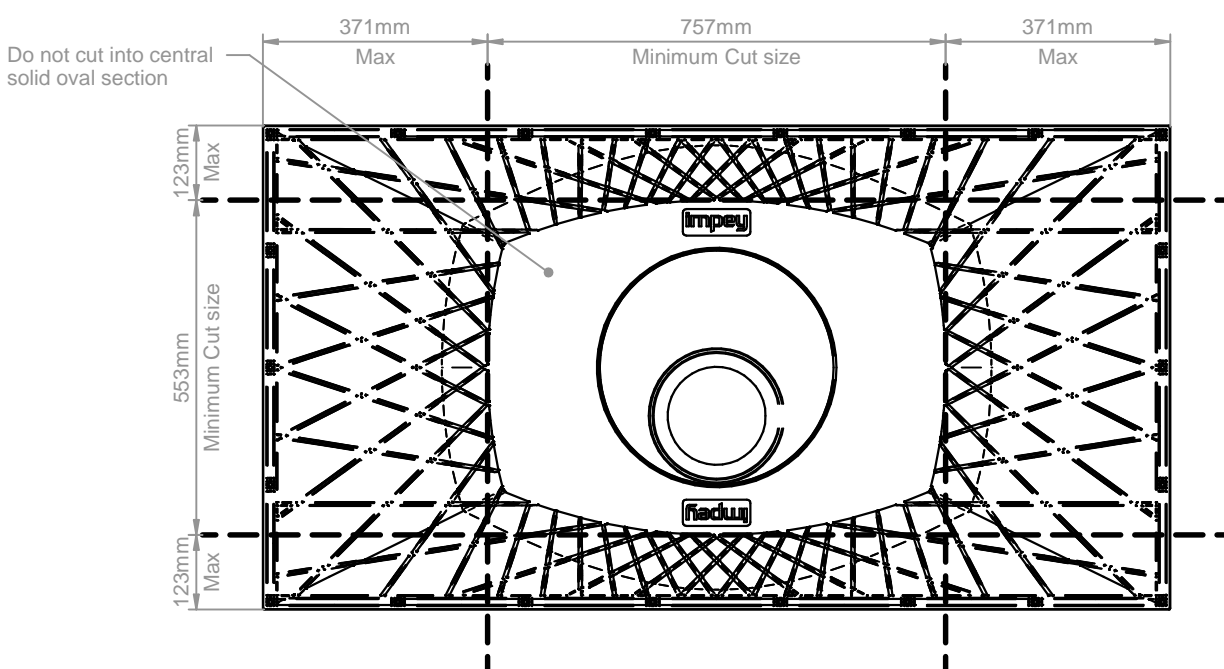
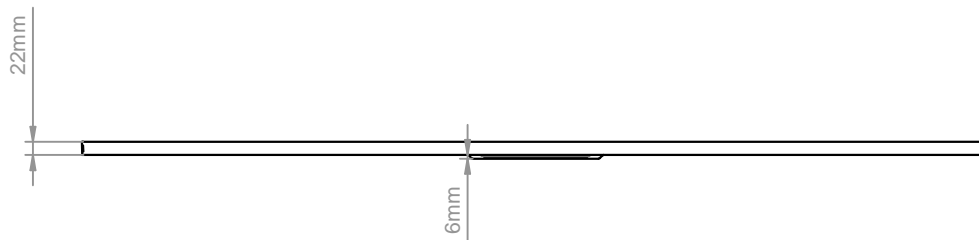
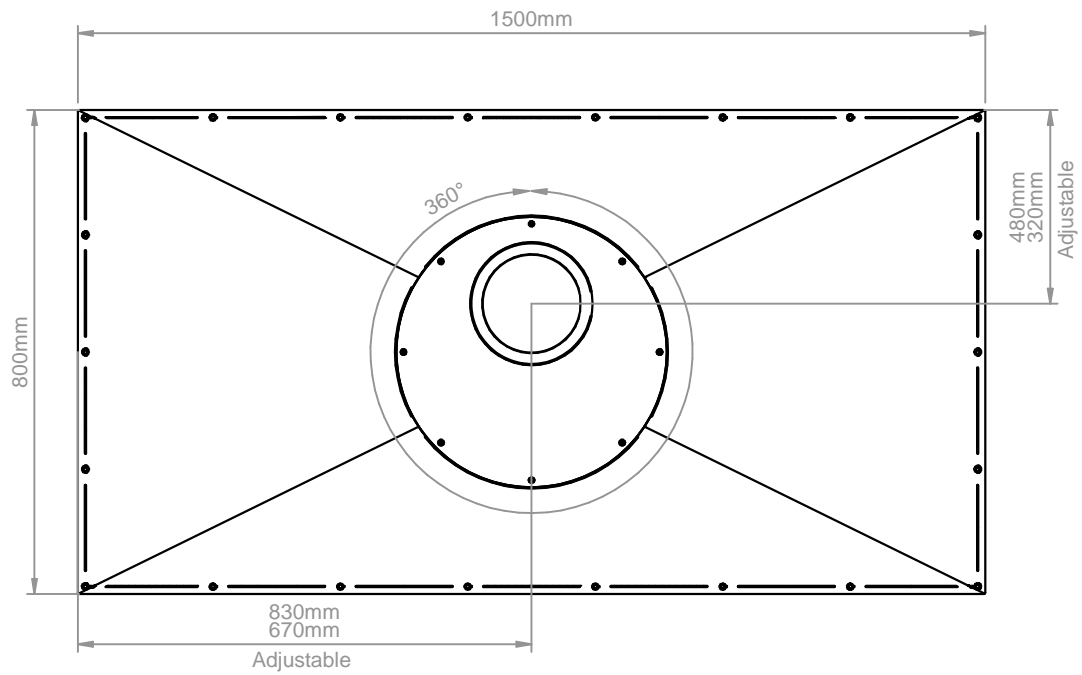
20.7 kg

Level-Dec Easy Fit - LDE 1490



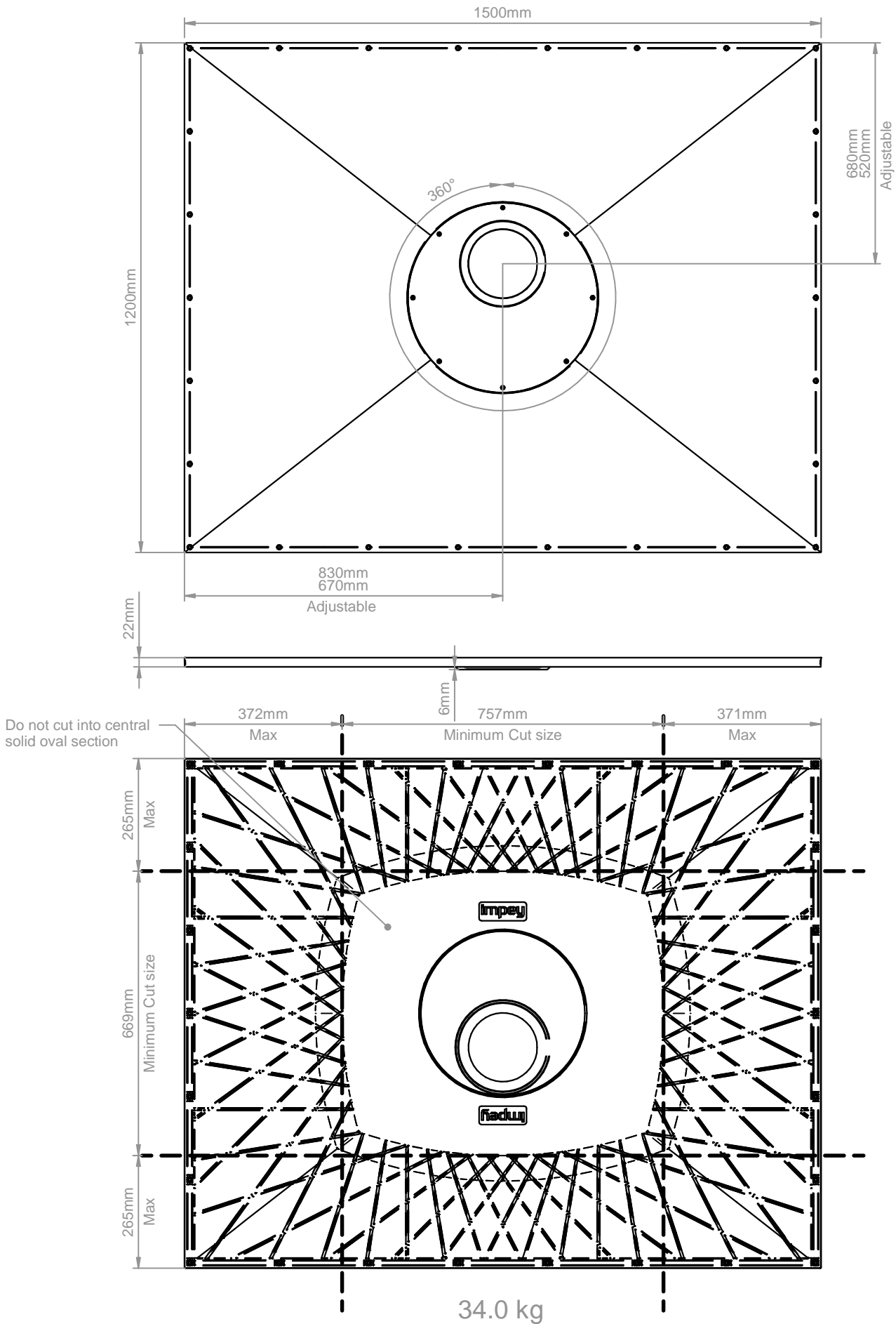
25.1 kg

Level-Dec Easy Fit - LDE 1580

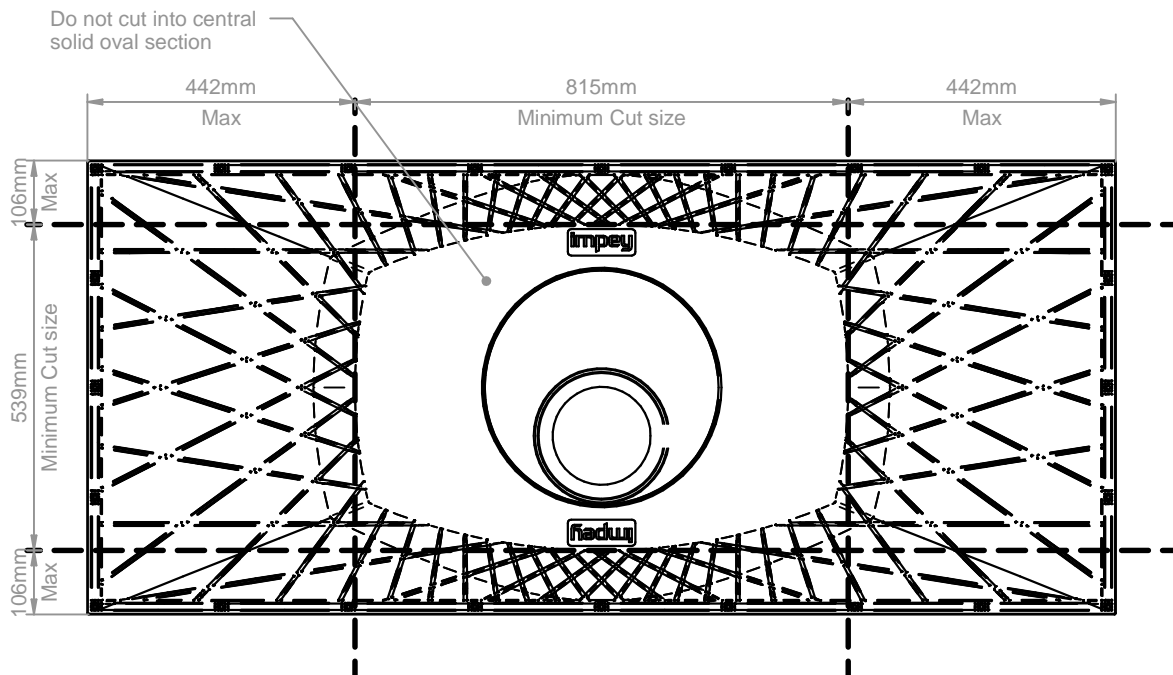
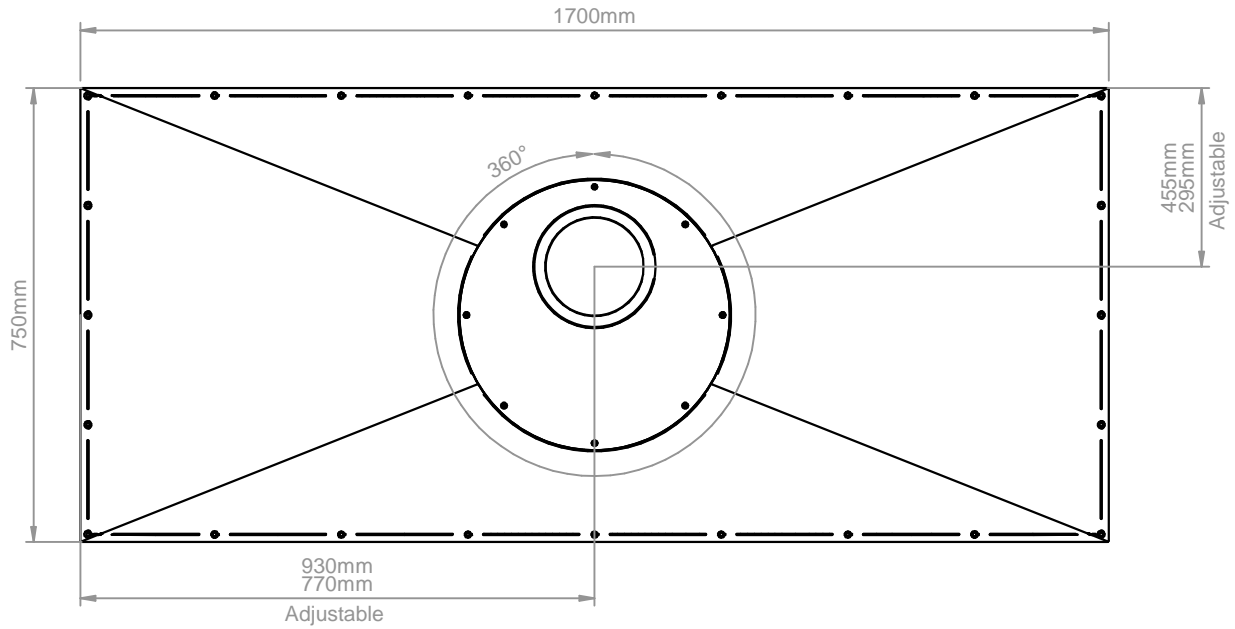


23.9 kg

Level-Dec Easy Fit - LDE 1512

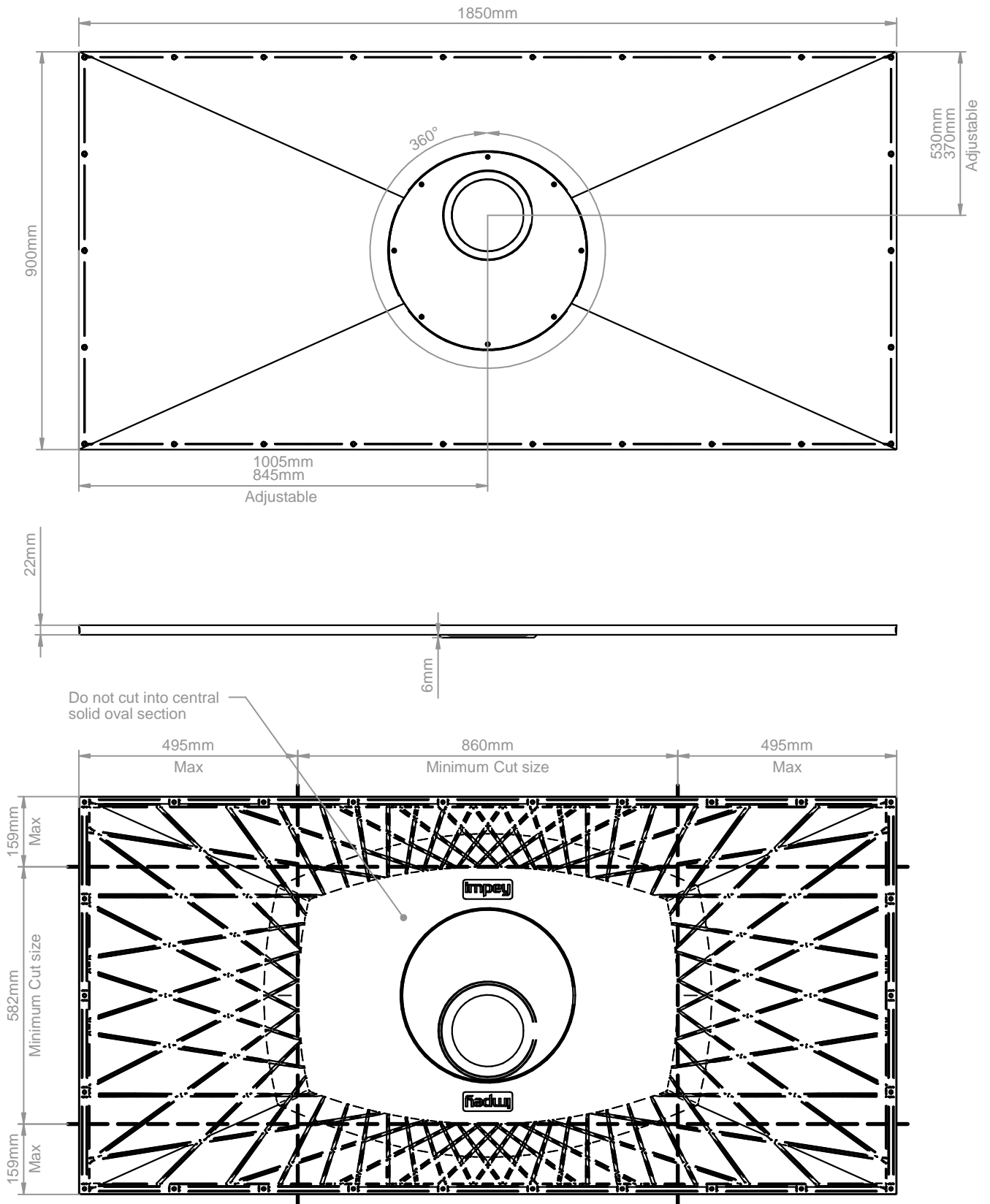


Level-Dec Easy Fit - LDE 1775



24.1 kg

Level-Dec Easy Fit - LDE 18590



32.1 kg